

24

PLASTIC CYLINDER FOR THREADED STUD

Caps

Materials:

Reinforced polyamide.
Resistant to oils and greases.

Surface finish:

Satin.

Colour:

Black: (RAL 9011 code 01).

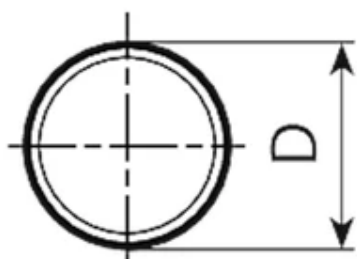
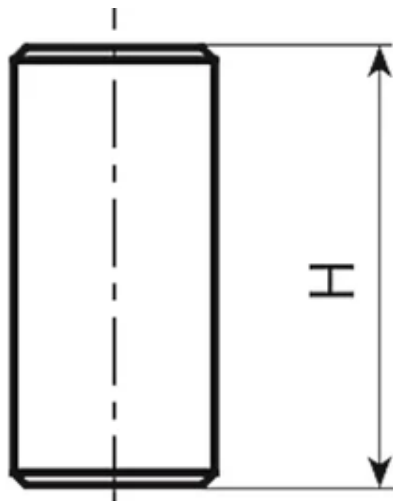
Fixing method:

Push-fit.

Special requests:

None.





Code	art.	D	H	Weight (g)
CIL.T03X6	CIL.T03X6	3	6	0,1
CIL.T05X7	CIL.T05X7	5	7	0,3
CIL.T06X7	CIL.T06X7	6	7	0,4

24

HOLE COVER CAP FOR 03-04-05-07-09-12-13-14

Caps

Materials:

Polyamide with ABS.
Resistant to oils and greases.

Surface finish:

Satin.

Colour:

Grey RAL 7035 code 13. (standard).

Fixing method:

Push-fit.

Alternative cap colours:

Black	(RAL 9011 code 01).
Orange	(RAL 2004 code 02).
Blue	(RAL 5015 code 07).
Yellow	(RAL 1021 code 10).
Red	(RAL 3000 code 16).
Green	(RAL 6024 code 17).

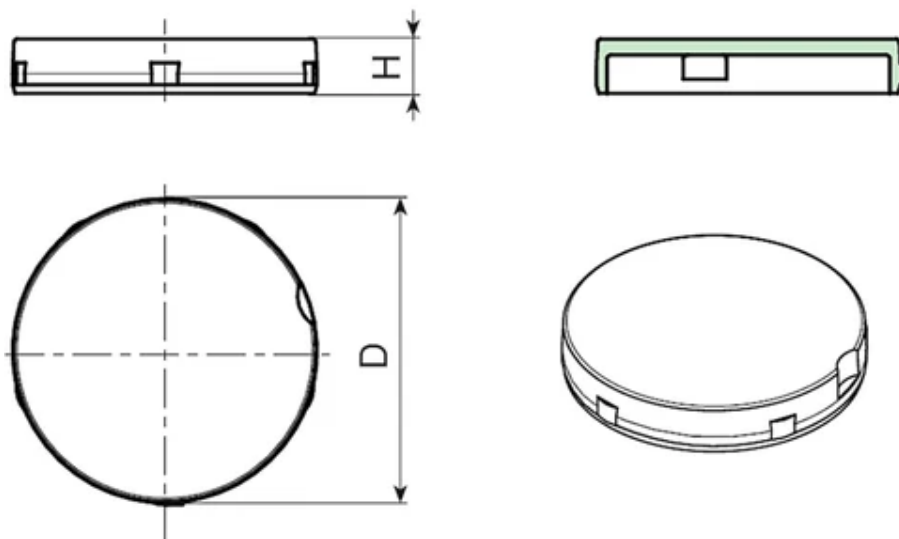
Special requests:

None.

PAD PRINTING SERVICE

Upon request and for special quantities caps can be supplied with custom pad printing.





Version: 01 - Black RAL 9011

Code	art.	D	H	Weight (g)
COP.1601	COP.1601	16	2,2	0,1
COP.1801	COP.1801	18	3	0,7
COP.2001	COP.2001	20	5	0,8
COP.2201	COP.2201	22	5	0,9
COP.2601P	COP.2601P	26	5	1,2
COP.2801P	COP.2801P	28	5	1,3
COP.3401	COP.3401	34	5	1,8
COP.4001	COP.4001	40	6	3
COP.5201	COP.5201	52	6	-
COP.5501	COP.5501	55	6	-

Version: 02 - Orange RAL 2004

Code	art.	D	H	Weight (g)
COP.1602	COP.1602	16	3	0,5
COP.1802	COP.1802	18	3	0,7
COP.2002	COP.2002	20	5	0,8
COP.2202	COP.2202	22	5	0,9
COP.2602P	COP.2602P	26	5	1,2
COP.2802P	COP.2802P	28	5	1,3
COP.3402	COP.3402	34	5	1,8

Code	art.	D	H	Weight (g)
COP.4002	COP.4002	40	6	3

Version: 07 - Blue RAL 5015

Code	art.	D	H	Weight (g)
COP.1807	COP.1807	18	3	0,7
COP.2007	COP.2007	20	5	0,8
COP.2207	COP.2207	22	5	0,9
COP.2607P	COP.2607P	26	5	1,2
COP.2807P	COP.2807P	28	5	1,3
COP.3407	COP.3407	34	5	1,8
COP.4007	COP.4007	40	6	3
COP.5507	COP.5507	55	6	-

Version: 10 - Yellow RAL 1021

Code	art.	D	H	Weight (g)
COP.1810	COP.1810	18	3	0,7
COP.2010	COP.2010	20	5	0,8
COP.2210	COP.2210	22	5	0,9
COP.2610P	COP.2610P	26	5	1,2
COP.2810P	COP.2810P	28	5	1,3
COP.3410	COP.3410	34	5	1,8

Version: 13 - Grey RAL 7035

Code	art.	D	H	Weight (g)
COP.1613	COP.1613	16	3	0,5
COP.1813	COP.1813	18	3	0,7
COP.2013	COP.2013	20	5	0,8
COP.2213	COP.2213	22	5	0,9
COP.2613P	COP.2613P	26	5	1,2
COP.2813P	COP.2813P	28	5	1,3
COP.3413	COP.3413	34	5	1,8
COP.4013	COP.4013	40	6	3
COP.5213	COP.5213	52	6	-
COP.5513	COP.5513	55	6	-
COP.6713	COP.6713	67	6	-

Code	art.	D	H	Weight (g)
COP.1616	COP.1616	16	2,2	0,1
COP.1816	COP.1816	18	3	0,7
COP.2016	COP.2016	20	5	0,8
COP.2216	COP.2216	22	5	0,9
COP.2616P	COP.2616P	26	5	1,2
COP.2816P	COP.2816P	28	5	1,3
COP.3416	COP.3416	34	5	1,8
COP.4016	COP.4016	40	6	3
COP.5516	COP.5516	55	6	-

Version: 17 - Green RAL 6024

Code	art.	D	H	Weight (g)
COP.2017	COP.2017	20	5	0,8
COP.2217	COP.2217	22	5	0,9
COP.2617P	COP.2617P	26	5	1,2
COP.2817P	COP.2817P	28	5	1,3
COP.3417	COP.3417	34	5	1,8

COP.H4



24

HOLE COVER CAP, HEIGHT 4, FOR O2 SERIES

Caps

Materials:

Polyamide with ABS.
Resistant to oils and greases.

Surface finish:

Satin.

Colour:

Grey RAL 7035 code 13. (standard).

Fixing method:

Push-fit.

Alternative cap colours:

Black	(RAL 9011 code 01).
Orange	(RAL 2004 code 02).
Blue	(RAL 5015 code 07).
Yellow	(RAL 1021 code 10).
Red	(RAL 3000 code 16).
Green	(RAL 6024 code 17).

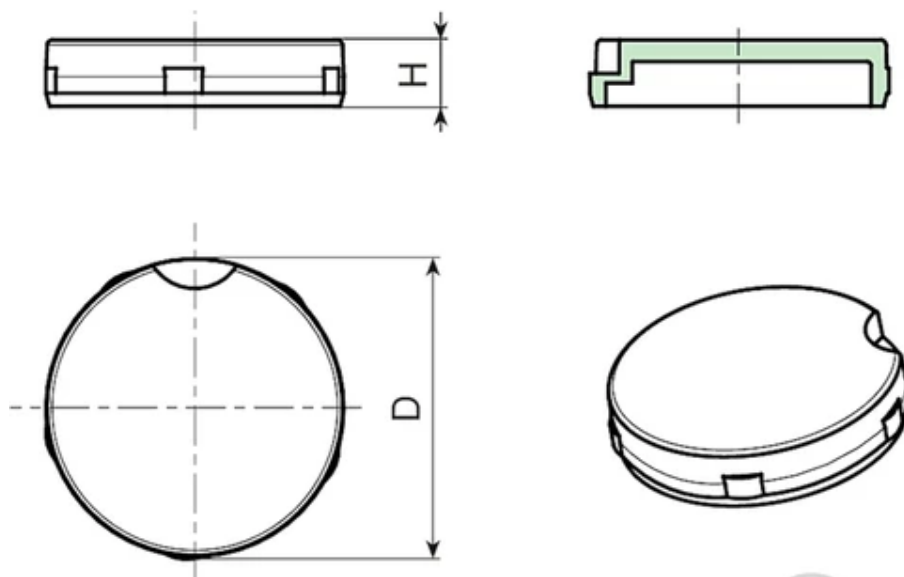
Special requests:

None.

PAD PRINTING SERVICE

Upon request and for special quantities caps can be supplied with custom pad printing.





Version: 01 - Black RAL 9011

Code	art.	D	H	Weight (g)
COP.D16H401	COP.D16H401	16	4	0,2
COP.D18H401	COP.D18H401	18	4	1

Version: 02 - Orange RAL 2004

Code	art.	D	H	Weight (g)
COP.D16H402	COP.D16H402	16	4	0,2
COP.D18H402	COP.D18H402	18	4	1

Version: 07 - Blue RAL 5015

Code	art.	D	H	Weight (g)
COP.D16H407	COP.D16H407	16	4	0,2
COP.D18H407	COP.D18H407	18	4	1

Version: 10 - Yellow RAL 1021

Code	art.	D	H	Weight (g)
COP.D16H410	COP.D16H410	16	4	0,2
COP.D18H410	COP.D18H410	18	4	1

Version: 13 - Grey RAL 7035

Code	art.	D	H	Weight (g)
COP.D16H413	COP.D16H413	16	4	0,2
COP.D18H413	COP.D18H413	18	4	1

Version: 16 - Red RAL 3000

Code	art.	D	H	Weight (g)
COP.D16H416	COP.D16H416	16	4	0,2
COP.D18H416	COP.D18H416	18	4	1

Version: 17 - Green RAL 6024

Code	art.	D	H	Weight (g)
COP.D16H417	COP.D16H417	16	4	0,2
COP.D18H417	COP.D18H417	18	4	1

24

HEXAGON NUTS - MEDIUM SERIES - DIN 934

Nuts, keyways and other accessories

Materials:

Versions FZ, FB:

Standard steel, property class 4.8.

Version IN:

Stainless steel (Aisi 304).

Surface finish:

Smooth.

Colour:

Versions FZ, FB:

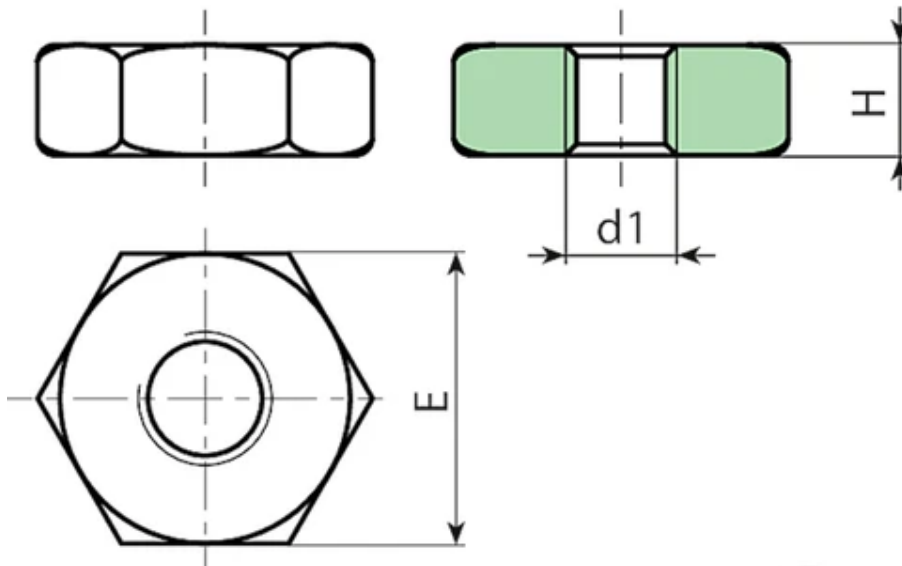
Standard steel, property class 4.8.

Version IN:

Stainless steel (Aisi 304).

Special requests:

None.


Black oxide treated steel version

Code	Art.	E	H	d1 6H	p	Weight (g)
DAM.FBEM05	DAM.FBEM05	8	4	M5	0,8	1

Code	Art.	E	H	d1 6H	p	Weight (g)
DAM.FBEM06	DAM.FBEM06	10	5	M6	1	2,5
DAM.FBEM08	DAM.FBEM08	13	6,5	M8	1,25	5
DAM.FBEM10	DAM.FBEM10	17	8	M10	1,5	12

Galvanised steel version.

Code	Art.	E	H	d1 6H	p	Weight (g)
DAM.FZEM05	DAM.FZEM05	8	4	M5	0,8	1
DAM.FZEM06	DAM.FZEM06	10	5	M6	1	2,5
DAM.FZEM08	DAM.FZEM08	13	6,5	M8	1,25	5
DAM.FZEM10	DAM.FZEM10	17	8	M10	1,5	12
DAM.FZEM12	DAM.FZEM12	19	10	M12	1,75	17
DAM.FZEM16	DAM.FZEM16	24	13	M16	2	33
DAM.FZEM20	DAM.FZEM20	30	16	M20	2,5	65
DAM.FZEM24	DAM.FZEM24	36	19	M24	3	110

Stainless steel version.

Code	Art.	E	H	d1 6H	p	Weight (g)
DAM.HNEM06	DAM.HNEM06	10	5	M6	1	2,5
DAM.HNEM08	DAM.HNEM08	13	6,5	M8	1,25	5
DAM.HNEM10	DAM.HNEM10	17	8	M10	1,5	12
DAM.HNEM12	DAM.HNEM12	19	10	M12	1,75	17
DAM.HNEM16	DAM.HNEM16	24	13	M16	2	33
DAM.HNEM20	DAM.HNEM20	30	16	M20	2,5	65
DAM.HNEM24	DAM.HNEM24	36	19	M24	3	110

24

ADHESIVE BADGE IN POLYURETHANE RESIN - CUSTOMISABLE

Caps

Materials:

Bicomponent polyurethane resin badge, transparent.
With printable adhesive base.

Surface finish:

Smooth.

Colour:

Transparent.

Fixing method:

With adhesive bottom.

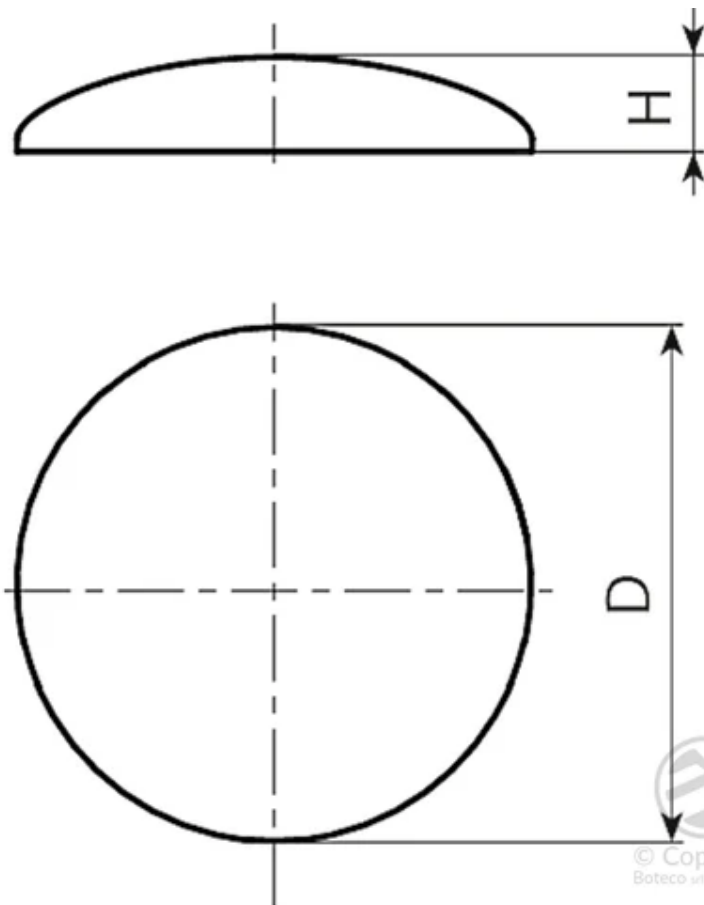
Customisation:

On the bottom of the adhesive badge we can print logos, trademarks, texts, pictograms or any other drawing or picture. Printing will be in four-colour. The resin badge has a slightly lenticular section which tends to magnify the image below. The adhesive badge is designed to be applied to the caps or covers of our handwheels, or to fit into the recesses on the F and G series knobs. It can also be sold separately. This option allows a better protection for the print while highlighting the underlying image. Moreover, the result lasts considerably more than a standard pad printing.

Special requests:

Adhesive badges can be produced with customised diameters, provided that the minimum quantity necessary for the diameter customisation is reached.

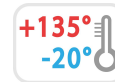




Code	Art.	D	H	Weight (g)
-	X.ET09.7.....	9,7	1,8	0,1
-	X.ET10.4.....	10,4	1,8	0,13
-	X.ET11.4.....	11,4	1,8	0,15
-	X.ET12.2.....	12,2	1,8	0,20
-	X.ET14.0.....	14	1,8	0,25
-	X.ET17.0.....	17	2	0,40
-	X.ET18.0.....	18	2	0,50
-	X.ET19.0.....	19	2	0,60
-	X.ET23.8.....	23,8	2	1
-	X.ET27.0.....	27	2	1,5
-	X.ET33.0.....	33	2	2

Insert the customer code in the place of the dots of the article code.

KITCAT



24 RETAINING CHAIN KIT

Materials:

Acetal (POM) chain.

Nickel-plated brass joint.

Harmonic stainless steel ring (AISI 302).

Surface finish:

Satin.

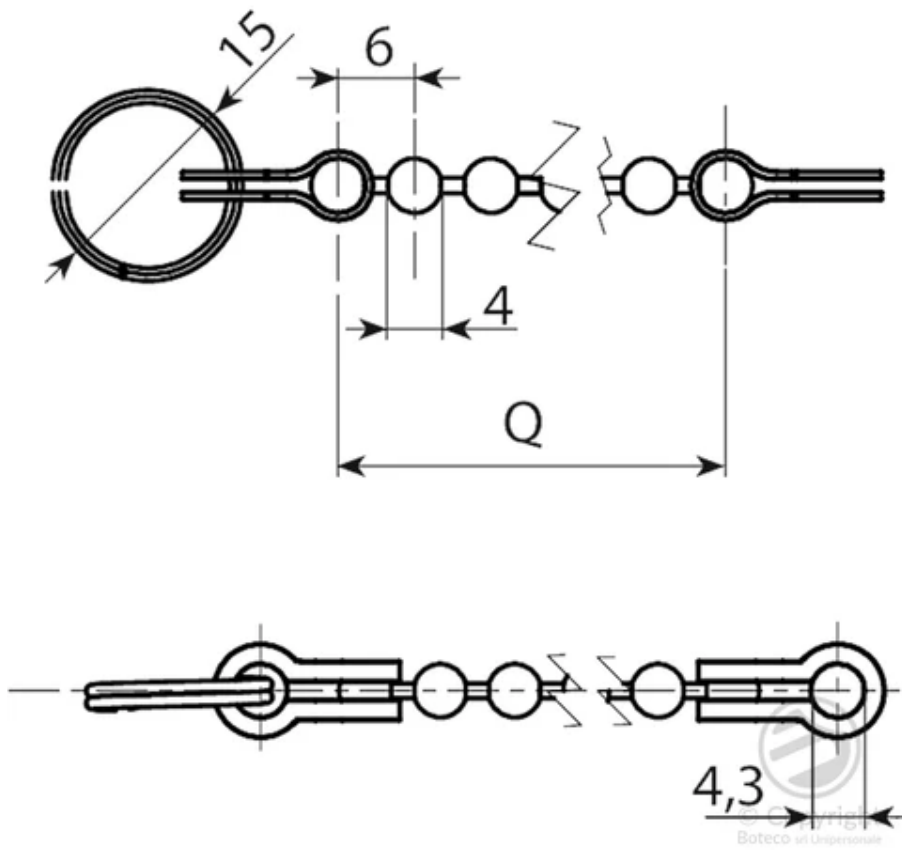
Colour:

Black Ral 9011.

Special requests:

Upon request the chain can be supplied with customised lengths.





Code	art.	Q	Weight (g)
KIT.CAT100	KIT.CAT100	100	5
KIT.CAT200	KIT.CAT200	200	10
KIT.CAT300	KIT.CAT300	300	15

24

HOLE COVER CAP FOR "EUROMODEL" WING NUTS

Caps

Materials:

Polyamide with ABS.
Resistant to oils and greases.

Surface finish:

Satin.

Colour:

Grey RAL 7035 code 13. (standard).

Fixing method:

Push-fit.

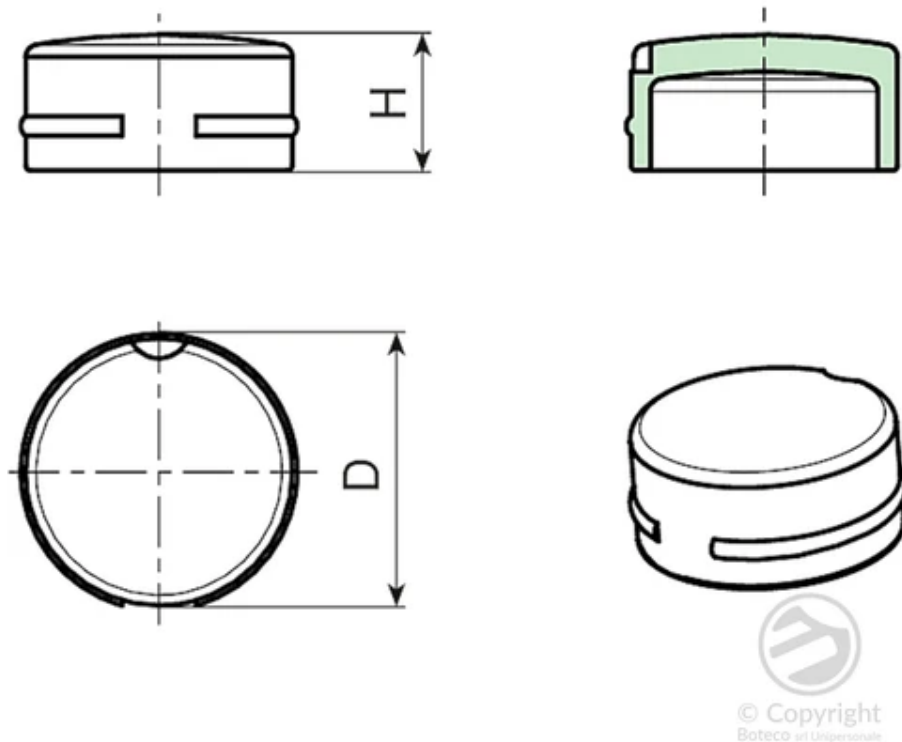
Alternative cap colours:

Orange	(RAL 2004 code 02).
Blue	(RAL 5015 code 07).
Yellow	(RAL 1021 code 10).
Red	(RAL 3000 code 16).
Green	(RAL 6024 code 17).
Black	(RAL 9011 code 01).

Special requests:

None.





Version: 01 - Black RAL 9011

Code	art.	D	H	Weight (g)
TAP.1101	TAP.1101	11	5,5	0,1
TAP.1301	TAP.1301	13	6,5	0,2
TAP.1601	TAP.1601	16	7,5	0,3

Version: 02 - Orange RAL 2004

Code	art.	D	H	Weight (g)
TAP.1102	TAP.1102	11	5,5	0,1
TAP.1302	TAP.1302	13	6,5	0,2
TAP.1602	TAP.1602	16	7,5	0,3

Version: 07 - Blue RAL 5015

Code	art.	D	H	Weight (g)
TAP.1107	TAP.1107	11	5,5	0,1
TAP.1307	TAP.1307	13	6,5	0,2
TAP.1607	TAP.1607	16	7,5	0,3

Version: 10 - Yellow RAL 1021

Code	art.	D	H	Weight (g)
TAP.1110	TAP.1110	11	5,5	0,1
TAP.1310	TAP.1310	13	6,5	0,2
TAP.1610	TAP.1610	16	7,5	0,3

Version: 13 - Grey RAL 7035

Code	art.	D	H	Weight (g)
TAP.1113	TAP.1113	11	5,5	0,1
TAP.1313	TAP.1313	13	6,5	0,2
TAP.1613	TAP.1613	16	7,5	0,3

Version: 16 - Red RAL 3000

Code	art.	D	H	Weight (g)
TAP.1116	TAP.1116	11	5,5	0,1
TAP.1316	TAP.1316	13	6,5	0,2
TAP.1616	TAP.1616	16	7,5	0,3

Version: 17 - Green RAL 6024

Code	art.	D	H	Weight (g)
TAP.1117	TAP.1117	11	5,5	0,1
TAP.1317	TAP.1317	13	6,5	0,2
TAP.1617	TAP.1617	16	7,5	0,3