

T558



20

EXTENSION KIT FOR SCORING BLADE FOR T556300

Accessories for woodworking machines

Materials:

Polycarbonate.

Surface finish:

Satin.

Colour:

Transparent

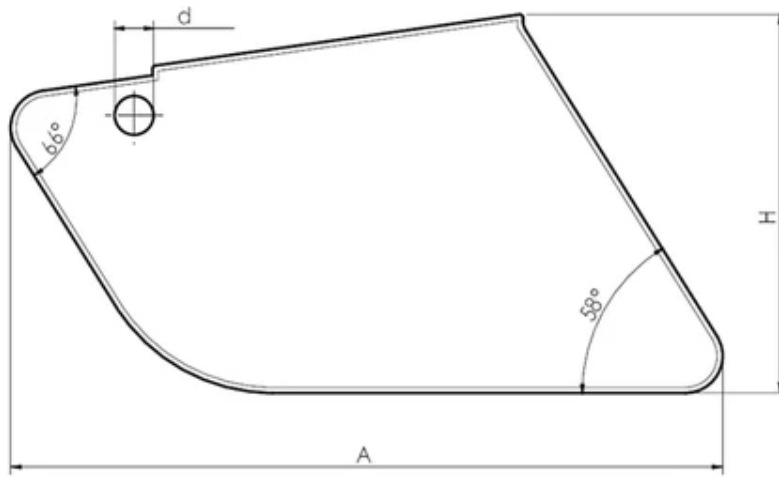
Inserts:

(1A) Turned brass pivot pin with hexagon head.

(1B) Special turned brass fixing screw with hexagon head.

(2) Brass spacer washer D. 16x0.8 hole 10.3.





| Code | art. | A | H | B | C | d | C | E | Weight (g) |
|--------------|--------------|-----|-----|----|----|------|----|----|------------|
| T558300.0001 | T558300.CCRI | 192 | 102 | 38 | 32 | 10.5 | 32 | 13 | 122 |