

S120



19

MALE CONNECTOR FOR PANEL TP (SUITABLE FOR INVERTER ONLY)

Quick couplings DINS

Materials:

- (2-3) Phenolic resin.
- Resistant to oils and greases.
- Resistant to high temperatures.

Surface finish:

Glossy.

Colour:

Black (RAL 9011).

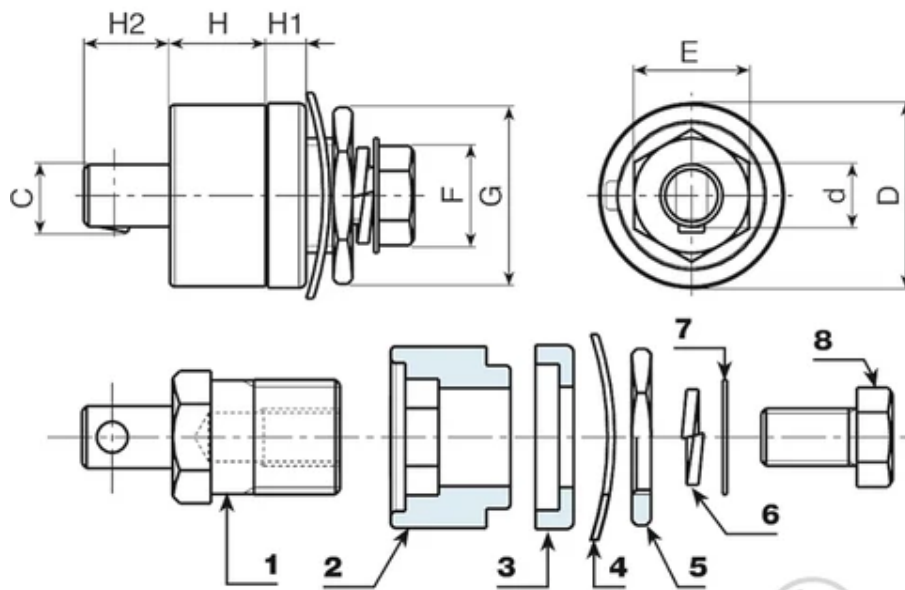
Inserts:

- (1) Brass insert with male connector UNI.
- (4) Black-oxide treated steel corrugated washer DIN 137.
- (5) Yellow passivated steel threaded hexagon ring nut.
- (6) Black-oxide treated steel split washer UNI 1751.
- (7) Yellow passivated steel washer.
- (8) Yellow passivated hex head screw DIN933/UNI 5739.

Special Requests:

None.






 © Copyright
 Boteco srl Unipersonale

Code	art.	D	H	H1	H2	d	c	E	F	G	Weight (g)	Amp. Max
S120.0001	S120.M3550	38	20	8	17	13	14	21	17	27	160	200