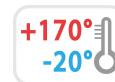


# S119



19

## FEMALE CONNECTOR FOR PANEL TP (SUITABLE FOR INVERTER ONLY)

Quick couplings DINS

### Materials:

(2-3) Phenolic resin.

Resistant to oils and greases.

Resistant to high temperatures.

### Surface finish:

Glossy.

### Colour:

Black (RAL 9011).

### Inserts:

(1) Brass insert with female connector UNI.

(4) Black-oxide treated steel corrugated washer DIN 137.

(5) Yellow passivated steel threaded hexagon ring nut.

(6) Black-oxide treated steel split washer UNI 1751.

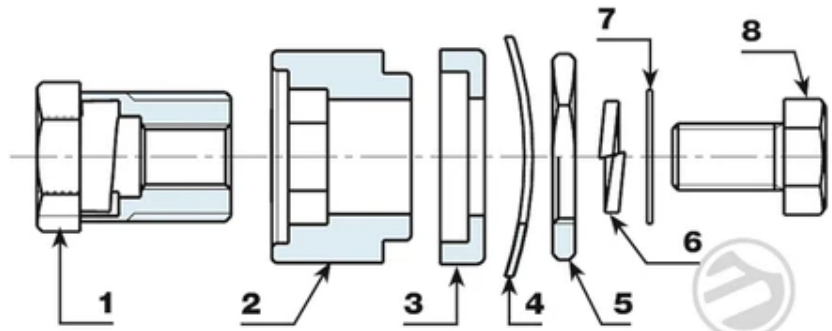
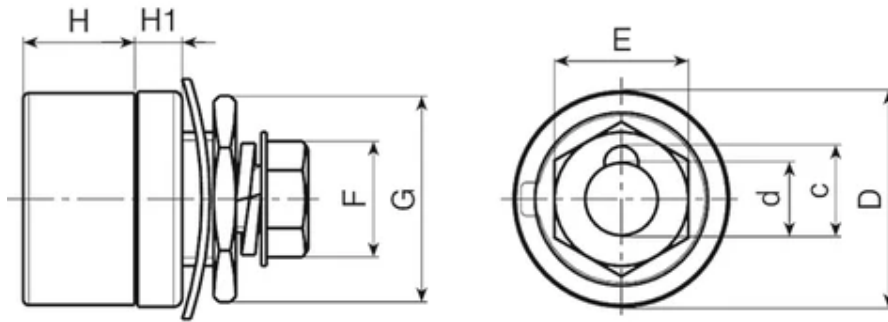
(7) Yellow passivated steel washer.

(8) Yellow passivated hex head screw DIN933/UNI 5739.

### Special Requests:

None.





© Copyright  
Boteco srl Unipersonale

Code	art.	D	H	H1	d	c	E	F	G	Weight (g)	Amp. Max
S119.0001	S119.F3550	38	20	8	13	16	21	17	27	121	200