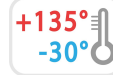


B324N

NEW



PA6
+G.F.

RoHS
COMPLIANT

PROTECTED
MODEL

02

“EUROMODEL” HANDLE WITH THROUGH HOLE AND CAP

Solid handles

Materials:

Reinforced polyamide.

Resistant to oils and greases.

Surface finish:

Satin.

Colour:

Black (RAL 9011).

Standard cap:

Grey polyamide cap (RAL 7035 code 13).

Alternative cap colours:

Orange (RAL 2004 code 02).

Blue (RAL 5015 code 07).

Yellow (RAL 1021 code 10).

Red (RAL 3000 code 16).

Green (RAL 6024 code 17).

Black (RAL 9011 code 01).

Hole:

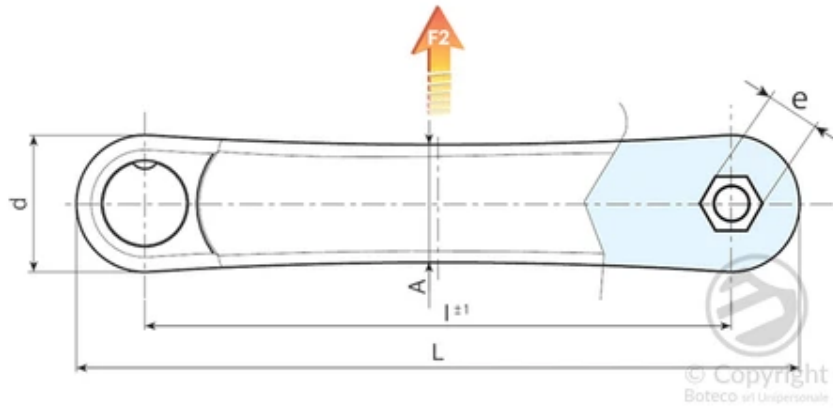
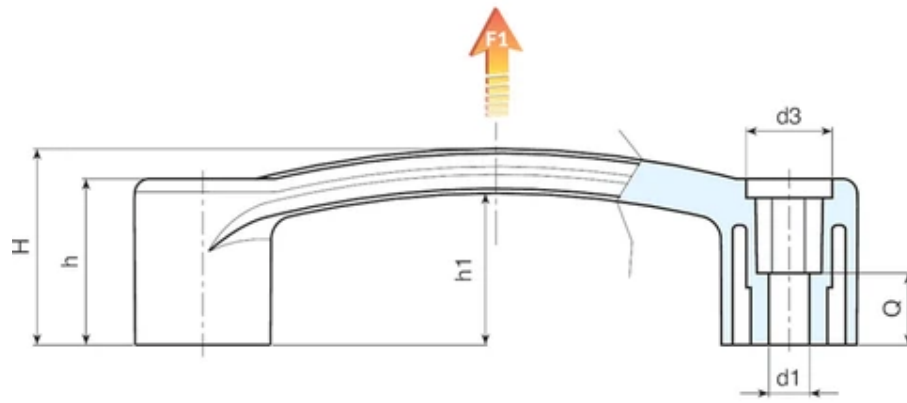
Smooth through hole obtained by moulding the plastic.

Attention: the hole has been designed for cylindrical head screws (TCCE-DIN 912 or TC-DIN 84), but it also has a hexagonal seat for the insertion of a push-fit hex head screw or nut.

Special requests:

Upon request and for special quantities available in the colours indicated in the chart.





Code	art.	L	I±1	H	h	h1	A	d	d3	e	Q	d1	Weight (g)	F1 (N)	F2 (N)
B324117.0022	B324117.TG05.50113	145	117	40	34,5	31,5	24	28	18	8	14,5	5,5	60	3700	3500
B324117.0006	B324117.TG06.50113	145	117	40	34,5	31,5	24	28	18	10	14,5	6,5	58	3700	3500
B324117.0016	B324117.TG08.50113	145	117	40	34,5	31,5	24	28	18	13	14,5	8,5	55	3700	3500