

# B321

UPDATE

+135°  
-30°

PA6  
+G.F.

RoHS  
COMPLIANT

02

## BRACKET FOR HANDLE WITH TUBE

Handle with tube

### Materials:

Reinforced polyamide.  
Resistant to oils and greases.

### Surface finish:

Satin.

### Colour:

Black (RAL 9011).

### Hole:

Smooth through hole obtained by moulding the plastic.

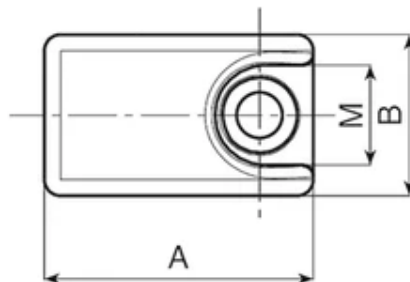
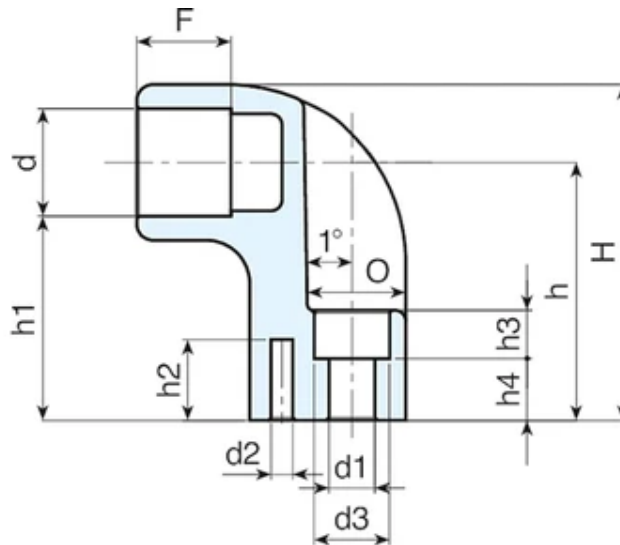


© Copyright  
Boteco srl Unipersonale

### Special Requests:

Upon request screw/hole caps are available.

Upon request and for special quantities available in the colours indicated in the chart.



© Copyright  
Boteco srl Unipersonale

| Code      | art.        | d  | d1   | d3   | d2 | A  | B  | H  | h  | h1 | h4 | h3   | h2 | M    | O  | F  | Weight (g) |
|-----------|-------------|----|------|------|----|----|----|----|----|----|----|------|----|------|----|----|------------|
| B321.0001 | B321.TG2001 | 20 | 8.5  | 14.5 | 4  | 50 | 30 | 57 | 43 | 33 | 7  | 12.5 | 15 | 18.5 | 18 | 17 | 47         |
| B321.0002 | B321.TG3001 | 30 | 10,5 | 16   | 4  | 60 | 40 | 77 | 58 | 43 | 12 | 15   | 19 | 23   | 22 | 21 | 92         |