

B228



02 FIXED HANDLE WITH THREADED STUD

Lightweight handles

Materials:

Reinforced polyamide.
Resistant to oils and greases.

Surface finish:

Satin.

Colour:

Black (RAL 9011).

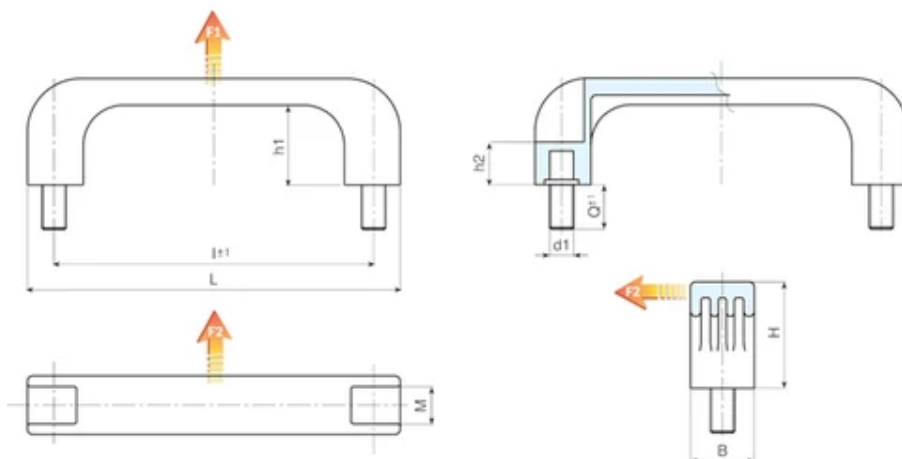
Inserts:

Galvanised steel threaded stud (thread tolerance 6g).

Special requests:

Upon request and for special quantities inserts can be supplied in different materials.

Upon request and for special quantities available in the colours indicated in the chart.



Code	art.	L	l ±1	B	M	H	h1	h2	Q	d1 6g	Weight (g)	F1 (N)	F2 (N)
B228132.0001	B228132.TM06X1601	151	132	26	14	43	31	16	16	M6	85	3000	2200