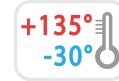


# A583



01

## VERSTELBARE SPANGREEP “EUROMODEL” MET DRUKKNOP EN DRAADEIND

Verstelbare spangrepen met knop

### Materiaal:

Speciale technopolymeer versterkt met glasvezel met hoge weerstand.

Bestand tegen oliën en vetten.

### Oppervlak:

Gesatineerd.

### Kleur van greep en inzetstuk:

Zwart (RAL 9011).

### Inzetstuk:

Draadeind in verzinkt staal (tolerantie 6g).

### Knop:

Knop in zwarte polyamide (RAL 9011).

### Veer:

Veer in RVS (AISI 302).

### Beschikbare kleuren voor greep en drukknop:

Oranje (RAL 2004 code 02).

Blauw (RAL 5015 code 07).

Geel (RAL 1021 code 10).

Rood (RAL 3000 code 16).

Groen (RAL 6024 code 17).

Grijs (RAL 7035 code 13).

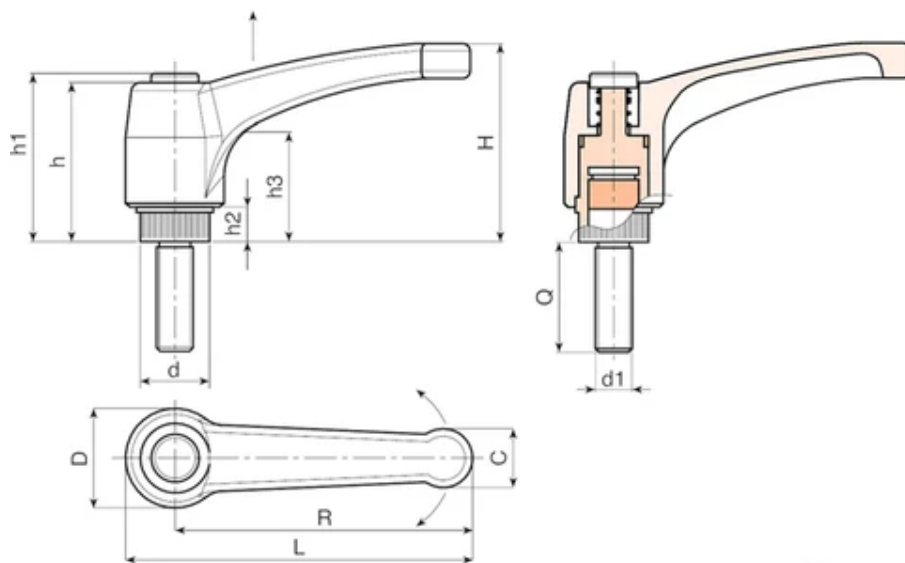
### Speciale verzoeken:

Op aanvraag en voor grote hoeveelheden zijn de inzetstukken leverbaar met gepersonaliseerde lengte.

Op aanvraag en voor grote hoeveelheden kunnen de inzetstukken worden geleverd in verschillende materialen.

Op aanvraag en voor grote hoeveelheden zijn de kleuren uit de kleurentabel leverbaar (let op: beperkt gamma).





Code	Art.	L	R	H	D	d	c	h	h1	h2	h3	LM	d1 6g	Q	Gewicht (g)
A583043.0001	A583043.TM04X1001	51	43	33	17	11.5	9	29	32	6	18	75	M4	10	9
A583043.0003	A583043.TM04X1601	51	43	33	17	11.5	9	29	32	6	18	75	M4	16	10
A583043.0007	A583043.TM04X2001	51	43	33	17	11.5	9	29	32	6	18	75	M4	20	10
A583043.0012	A583043.TM04X2501	51	43	33	17	11.5	9	29	32	6	18	75	M4	25	11
A583043.0013	A583043.TM04X3001	51	43	33	17	11.5	9	29	32	6	18	75	M4	30	11
A583043.0017	A583043.TM04X4001	51	43	33	17	11.5	9	29	32	6	18	75	M4	40	12
A583043.0018	A583043.TM05X1001	51	43	33	17	11.5	9	29	32	6	18	75	M5	10	12
A583043.0021	A583043.TM05X1601	51	43	33	17	11.5	9	29	32	6	18	75	M5	16	13
A583043.0029	A583043.TM05X2001	51	43	33	17	11.5	9	29	32	6	18	75	M5	20	13
A583043.0034	A583043.TM05X2501	51	43	33	17	11.5	9	29	32	6	18	75	M5	25	14
A583043.0037	A583043.TM05X3001	51	43	33	17	11.5	9	29	32	6	18	75	M5	30	15
A583043.0040	A583043.TM05X4001	51	43	33	17	11.5	9	29	32	6	18	75	M5	40	16
A583043.0043	A583043.TM06X1001	51	43	33	17	11.5	9	29	32	6	18	75	M6	10	14
A583043.0052	A583043.TM06X1601	51	43	33	17	11.5	9	29	32	6	18	75	M6	16	15
A583043.0066	A583043.TM06X2001	51	43	33	17	11.5	9	29	32	6	18	75	M6	20	15,5
A583043.0080	A583043.TM06X2501	51	43	33	17	11.5	9	29	32	6	18	75	M6	25	16
A583043.0089	A583043.TM06X3001	51	43	33	17	11.5	9	29	32	6	18	75	M6	30	16,5
A583043.0100	A583043.TM06X4001	51	43	33	17	11.5	9	29	32	6	18	75	M6	40	18
A583043.0107	A583043.TM06X5001	51	43	33	17	11.5	9	29	32	6	18	75	M6	50	19,5
A583052.0003	A583052.TM06X1601	63	52	41	22	15	12	36	40	8	23	90	M6	16	22
A583052.0005	A583052.TM06X2001	63	52	41	22	15	12	36	40	8	23	90	M6	20	23
A583052.0010	A583052.TM06X2501	63	52	41	22	15	12	36	40	8	23	90	M6	25	24

Code	Art.	L	R	H	D	d	c	h	h1	h2	h3	LM	d1 6g	Q	Gewicht (g)
A583052.0012	A583052.TM06X3001	63	52	41	22	15	12	36	40	8	23	90	M6	30	25
A583052.0018	A583052.TM06X3501	63	52	41	22	15	12	36	40	8	23	90	M6	35	26
A583052.0019	A583052.TM06X4001	63	52	41	22	15	12	36	40	8	23	90	M6	40	27
A583052.0023	A583052.TM06X5001	63	52	41	22	15	12	36	40	8	23	90	M6	50	28
A583052.0031	A583052.TM08X1601	63	52	41	22	15	12	36	40	8	23	90	M8	16	24
A583052.0037	A583052.TM08X2001	63	52	41	22	15	12	36	40	8	23	90	M8	20	25
A583052.0048	A583052.TM08X2501	63	52	41	22	15	12	36	40	8	23	90	M8	25	27
A583052.0053	A583052.TM08X3001	63	52	41	22	15	12	36	40	8	23	90	M8	30	28,5
A583052.0062	A583052.TM08X3501	63	52	41	22	15	12	36	40	8	23	90	M8	35	30
A583052.0063	A583052.TM08X4001	63	52	41	22	15	12	36	40	8	23	90	M8	40	31,5
A583052.0068	A583052.TM08X4501	63	52	41	22	15	12	36	40	8	23	90	M8	45	33
A583052.0069	A583052.TM08X5001	63	52	41	22	15	12	36	40	8	23	90	M8	50	34,5
A583052.0080	A583052.TM10X2001	63	52	41	22	15	12	36	40	8	23	90	M10	20	31
A583052.0084	A583052.TM10X2501	63	52	41	22	15	12	36	40	8	23	90	M10	25	33,5
A583052.0088	A583052.TM10X3001	63	52	41	22	15	12	36	40	8	23	90	M10	30	36
A583052.0091	A583052.TM10X3501	63	52	41	22	15	12	36	40	8	23	90	M10	35	38,5
A583052.0092	A583052.TM10X4001	63	52	41	22	15	12	36	40	8	23	90	M10	40	41
A583052.0094	A583052.TM10X5001	63	52	41	22	15	12	36	40	8	23	90	M10	50	46
A583065.0001	A583065.TM06X1601	76	65	43	23	15	13	36	40	8	24	90	M6	16	30
A583065.0003	A583065.TM06X2001	76	65	43	23	15	13	36	40	8	24	90	M6	20	30
A583065.0007	A583065.TM06X2501	76	65	43	23	15	13	36	40	8	24	90	M6	25	30
A583065.0008	A583065.TM06X3001	76	65	43	23	15	13	36	40	8	24	90	M6	30	30
A583065.0012	A583065.TM06X3501	76	65	43	23	15	13	36	40	8	24	90	M6	35	30
A583065.0013	A583065.TM06X4001	76	65	43	23	15	13	36	40	8	24	90	M6	40	30
A583065.0018	A583065.TM06X4501	76	65	43	23	15	13	36	40	8	24	90	M6	45	30
A583065.0019	A583065.TM06X5001	76	65	43	23	15	13	36	40	8	24	90	M6	50	30
A583065.0024	A583065.TM08X1601	76	65	43	23	15	13	36	40	8	24	90	M8	16	31,5
A583065.0032	A583065.TM08X2001	76	65	43	23	15	13	36	40	8	24	90	M8	20	33
A583065.0043	A583065.TM08X2501	76	65	43	23	15	13	36	40	8	24	90	M8	25	34,5
A583065.0051	A583065.TM08X3001	76	65	43	23	15	13	36	40	8	24	90	M8	30	36
A583065.0060	A583065.TM08X3501	76	65	43	23	15	13	36	40	8	24	90	M8	35	37,5
A583065.0075	A583065.TM08X4501	76	65	43	23	15	13	36	40	8	24	90	M8	45	41
A583065.0077	A583065.TM08X5001	76	65	43	23	15	13	36	40	8	24	90	M8	50	42,5
A583065.0092	A583065.TM10X2001	76	65	43	23	15	13	36	40	8	24	90	M10	20	37
A583065.0096	A583065.TM10X2501	76	65	43	23	15	13	36	40	8	24	90	M10	25	39,5
A583065.0100	A583065.TM10X3001	76	65	43	23	15	13	36	40	8	24	90	M10	30	42
A583065.0103	A583065.TM10X3501	76	65	43	23	15	13	36	40	8	24	90	M10	35	44,5
A583065.0104	A583065.TM10X4001	76	65	43	23	15	13	36	40	8	24	90	M10	40	47
A583065.0111	A583065.TM10X4501	76	65	43	23	15	13	36	40	8	24	90	M10	45	49,5
A583065.0112	A583065.TM10X5001	76	65	43	23	15	13	36	40	8	24	90	M10	50	52

Code	Art.	L	R	H	D	d	c	h	h1	h2	h3	LM	d16g	Q	Gewicht (g)
A583080.0003	A583080.TM08X2001	93	80	54	27	19	15.5	44	48	8.5	29	90	M8	20	47
A583080.0008	A583080.TM08X2501	93	80	54	27	19	15.5	44	48	8.5	29	90	M8	25	49
A583080.0012	A583080.TM08X3001	93	80	54	27	19	15.5	44	48	8.5	29	90	M8	30	50,5
A583080.0014	A583080.TM08X3501	93	80	54	27	19	15.5	44	48	8.5	29	90	M8	35	52
A583080.0016	A583080.TM08X4001	93	80	54	27	19	15.5	44	48	8.5	29	90	M8	40	54
A583080.0022	A583080.TM08X5001	93	80	54	27	19	15.5	44	48	8.5	29	90	M8	50	57
A583080.0033	A583080.TM10X2001	93	80	54	27	19	15.5	44	48	8.5	29	90	M10	20	54
A583080.0041	A583080.TM10X2501	93	80	54	27	19	15.5	44	48	8.5	29	90	M10	25	56,5
A583080.0049	A583080.TM10X3001	93	80	54	27	19	15.5	44	48	8.5	29	90	M10	30	59
A583080.0057	A583080.TM10X3501	93	80	54	27	19	15.5	44	48	8.5	29	90	M10	35	61,5
A583080.0060	A583080.TM10X4001	93	80	54	27	19	15.5	44	48	8.5	29	90	M10	40	64
A583080.0065	A583080.TM10X4501	93	80	54	27	19	15.5	44	48	8.5	29	90	M10	45	66,5
A583080.0067	A583080.TM10X5001	93	80	54	27	19	15.5	44	48	8.5	29	90	M10	50	69
A583080.0091	A583080.TM12X2001	93	80	54	27	19	15.5	44	48	8.5	29	90	M12	20	65
A583080.0100	A583080.TM12X2501	93	80	54	27	19	15.5	44	48	8.5	29	90	M12	25	69
A583080.0103	A583080.TM12X3001	93	80	54	27	19	15.5	44	48	8.5	29	90	M12	30	72
A583080.0110	A583080.TM12X3501	93	80	54	27	19	15.5	44	48	8.5	29	90	M12	35	75
A583080.0113	A583080.TM12X4001	93	80	54	27	19	15.5	44	48	8.5	29	90	M12	40	79
A583080.0118	A583080.TM12X5001	93	80	54	27	19	15.5	44	48	8.5	29	90	M12	50	83
A583080.0121	A583080.TM12X6001	93	80	54	27	19	15.5	44	48	8.5	29	90	M12	60	86
A583080.0124	A583080.TM12X7001	93	80	54	27	19	15.5	44	48	8.5	29	90	M12	70	93
A583094.0001	A583094.TM08X2001	109	94	56	30	19	18	45	49	9	30	90	M8	20	55
A583094.0002	A583094.TM08X2501	109	94	56	30	19	18	45	49	9	30	90	M8	25	57
A583094.0003	A583094.TM08X3001	109	94	56	30	19	18	45	49	9	30	90	M8	30	58
A583094.0004	A583094.TM08X3501	109	94	56	30	19	18	45	49	9	30	90	M8	35	60
A583094.0005	A583094.TM08X4001	109	94	56	30	19	18	45	49	9	30	90	M8	40	62
A583094.0006	A583094.TM08X5001	109	94	56	30	19	18	45	49	9	30	90	M8	50	65
A583094.0008	A583094.TM10X2001	109	94	56	30	19	18	45	49	9	30	90	M10	20	62
A583094.0012	A583094.TM10X2501	109	94	56	30	19	18	45	49	9	30	90	M10	25	67
A583094.0016	A583094.TM10X3001	109	94	56	30	19	18	45	49	9	30	90	M10	30	69
A583094.0020	A583094.TM10X3501	109	94	56	30	19	18	45	49	9	30	90	M10	35	72
A583094.0032	A583094.TM12X2001	109	94	56	30	19	18	45	49	9	30	90	M12	20	73
A583094.0034	A583094.TM12X2501	109	94	56	30	19	18	45	49	9	30	90	M12	25	80
A583094.0035	A583094.TM12X3001	109	94	56	30	19	18	45	49	9	30	90	M12	30	83
A583094.0039	A583094.TM12X3501	109	94	56	30	19	18	45	49	9	30	90	M12	35	87
A583094.0040	A583094.TM12X4001	109	94	56	30	19	18	45	49	9	30	90	M12	40	91
A583094.0044	A583094.TM12X5001	109	94	56	30	19	18	45	49	9	30	90	M12	50	94
A583094.0046	A583094.TM12X6001	109	94	56	30	19	18	45	49	9	30	90	M12	60	101
A583094.0047	A583094.TM12X7001	109	94	56	30	19	18	45	49	9	30	90	M12	70	108
A583108.0001	A583108.TM12X2001	125	108	64	34	24	21	51	55	10	35	100	M12	20	101

Code	Art.	L	R	H	D	d	c	h	h1	h2	h3	LM	d1 6g	Q	Gewicht (g)
A583108.0004	A583108.TM12X3001	125	108	64	34	24	21	51	55	10	35	100	M12	30	108
A583108.0007	A583108.TM12X4001	125	108	64	34	24	21	51	55	10	35	100	M12	40	115
A583108.0009	A583108.TM12X5001	125	108	64	34	24	21	51	55	10	35	100	M12	50	122
A583108.0014	A583108.TM12X6001	125	108	64	34	24	21	51	55	10	35	100	M12	60	129
A583108.0015	A583108.TM12X7001	125	108	64	34	24	21	51	55	10	35	100	M12	70	136
A583108.0017	A583108.TM14X3001	125	108	64	34	24	21	51	55	10	35	100	M14	30	114
A583108.0019	A583108.TM14X4001	125	108	64	34	24	21	51	55	10	35	100	M14	40	121
A583108.0022	A583108.TM14X5001	125	108	64	34	24	21	51	55	10	35	100	M14	50	128
A583108.0024	A583108.TM14X6001	125	108	64	34	24	21	51	55	10	35	100	M14	60	134
A583108.0027	A583108.TM16X4001	125	108	64	34	24	21	51	55	10	35	100	M16	40	139
A583108.0029	A583108.TM16X5001	125	108	64	34	24	21	51	55	10	35	100	M16	50	151
A583108.0031	A583108.TM16X6001	125	108	64	34	24	21	51	55	10	35	100	M16	60	163

Lunghezze perno a richiesta con un minimo di 50 pezzi.

LM = maximumlengte die kan geperst worden.