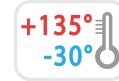


A581



01

VERSTELBARE SPANGREEP “EUROMODEL” MET DRAADEIND

Verstelbare spangrepen met schroef

Materiaal:

Speciale technopolymeer versterkt met glasvezel met hoge weerstand.

Bestand tegen oliën en vetten.

Oppervlak:

Gesatineerd.

Kleur van greep en inzetstuk:

Zwart (RAL 9011).

Inzetstuk:

Draadeind in verzinkt staal (schroefdraad tolerantie 6g).

Bevestigingsschroef:

Schroef in gebruieneerd staal met inbuskop.

(R52-R94) Schroef in gebruieneerd staal met schroevendraaierkop.

Veer:

Veer in RVS (AISI 302).

Beschikbare kleuren voor greep:

Oranje (RAL 2004 code 02).

Blauw (RAL 5015 code 07).

Geel (RAL 1021 code 10).

Rood (RAL 3000 code 16).

Groen (RAL 6024 code 17).

Grijs (RAL 7035 code 13).

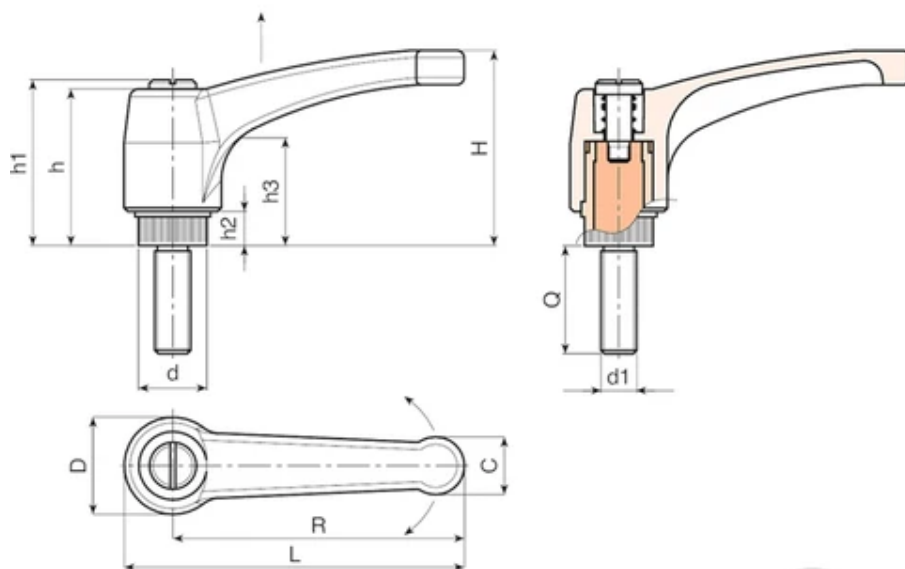
Speciale verzoeken:

Op aanvraag en voor grote hoeveelheden zijn de inzetstukken leverbaar met gepersonaliseerde lengte.

Op aanvraag en voor grote hoeveelheden kunnen de inzetstukken worden geleverd in verschillende materialen.

Op aanvraag en voor grote hoeveelheden zijn de kleuren uit de kleurentabel leverbaar (let op: beperkt gamma).





Code	Art.	L	R	H	D	d	c	h	h1	h2	h3	LM	d1 6g	Q	Gewicht (g)
A581043.0001	A581043.TM04X1001	51	43	33	17	11.5	9	29	32	6	18	60	M4	10	18
A581043.0002	A581043.TM04X1601	51	43	33	17	11.5	9	29	32	6	18	60	M4	16	19
A581043.0003	A581043.TM04X2001	51	43	33	17	11.5	9	29	32	6	18	60	M4	20	19
A581043.0004	A581043.TM04X2501	51	43	33	17	11.5	9	29	32	6	18	60	M4	25	20
A581043.0005	A581043.TM04X3001	51	43	33	17	11.5	9	29	32	6	18	60	M4	30	21
A581043.0006	A581043.TM04X4001	51	43	33	17	11.5	9	29	32	6	18	60	M4	40	21,5
A581043.0008	A581043.TM05X1001	51	43	33	17	11.5	9	29	32	6	18	60	M5	10	20
A581043.0010	A581043.TM05X1601	51	43	33	17	11.5	9	29	32	6	18	60	M5	16	20
A581043.0012	A581043.TM05X2001	51	43	33	17	11.5	9	29	32	6	18	60	M5	20	21
A581043.0013	A581043.TM05X2501	51	43	33	17	11.5	9	29	32	6	18	60	M5	25	22
A581043.0014	A581043.TM05X3001	51	43	33	17	11.5	9	29	32	6	18	60	M5	30	22
A581043.0015	A581043.TM05X4001	51	43	33	17	11.5	9	29	32	6	18	60	M5	40	23
A581043.0017	A581043.TM06X1001	51	43	33	17	11.5	9	29	32	6	18	60	M6	10	19
A581043.0020	A581043.TM06X1601	51	43	33	17	11.5	9	29	32	6	18	60	M6	16	21
A581043.0023	A581043.TM06X2001	51	43	33	17	11.5	9	29	32	6	18	60	M6	20	22
A581043.0027	A581043.TM06X2501	51	43	33	17	11.5	9	29	32	6	18	60	M6	25	23
A581043.0031	A581043.TM06X3001	51	43	33	17	11.5	9	29	32	6	18	60	M6	30	24
A581043.0039	A581043.TM06X4001	51	43	33	17	11.5	9	29	32	6	18	60	M6	40	25
A581043.0042	A581043.TM06X5001	51	43	33	17	11.5	9	29	32	6	18	60	M6	50	26
A581052.0001	A581052.TM06X1601	63	52	41	22	15	12	36	40	8	23	60	M6	16	38
A581052.0003	A581052.TM06X2001	63	52	41	22	15	12	36	40	8	23	60	M6	20	38
A581052.0005	A581052.TM06X2501	63	52	41	22	15	12	36	40	8	23	60	M6	25	39

Code	Art.	L	R	H	D	d	c	h	h1	h2	h3	LM	d1 6g	Q	Gewicht (g)
A581052.0006	A581052.TM06X3001	63	52	41	22	15	12	36	40	8	23	60	M6	30	40
A581052.0007	A581052.TM06X3501	63	52	41	22	15	12	36	40	8	23	60	M6	35	41
A581052.0008	A581052.TM06X4001	63	52	41	22	15	12	36	40	8	23	60	M6	40	42
A581052.0009	A581052.TM06X5001	63	52	41	22	15	12	36	40	8	23	60	M6	50	43
A581052.0011	A581052.TM08X1601	63	52	41	22	15	12	36	40	8	23	60	M8	16	38
A581052.0014	A581052.TM08X2001	63	52	41	22	15	12	36	40	8	23	60	M8	20	40
A581052.0016	A581052.TM08X2501	63	52	41	22	15	12	36	40	8	23	60	M8	25	42
A581052.0018	A581052.TM08X3001	63	52	41	22	15	12	36	40	8	23	60	M8	30	43
A581052.0020	A581052.TM08X3501	63	52	41	22	15	12	36	40	8	23	60	M8	35	45
A581052.0022	A581052.TM08X4001	63	52	41	22	15	12	36	40	8	23	60	M8	40	46
A581052.0025	A581052.TM08X4501	63	52	41	22	15	12	36	40	8	23	60	M8	45	47
A581052.0026	A581052.TM08X5001	63	52	41	22	15	12	36	40	8	23	60	M8	50	49
A581065.0023	A581065.TM08X1601	76	65	43	23	15	13	36	40	8	24	60	M8	16	42
A581065.0027	A581065.TM08X2001	76	65	43	23	15	13	36	40	8	24	60	M8	20	44
A581065.0032	A581065.TM08X2501	76	65	43	23	15	13	36	40	8	24	60	M8	25	46
A581065.0036	A581065.TM08X3001	76	65	43	23	15	13	36	40	8	24	60	M8	30	47
A581065.0042	A581065.TM08X3501	76	65	43	23	15	13	36	40	8	24	60	M8	35	49
A581065.0045	A581065.TM08X4001	76	65	43	23	15	13	36	40	8	24	60	M8	40	50
A581065.0050	A581065.TM08X4501	76	65	43	23	15	13	36	40	8	24	60	M8	45	52
A581065.0051	A581065.TM08X5001	76	65	43	23	15	13	36	40	8	24	60	M8	50	54
A581080.0001	A581080.TM08X2001	93	80	54	27	19	15.5	44	48	8.5	29	90	M8	20	66
A581080.0003	A581080.TM08X2501	93	80	54	27	19	15.5	44	48	8.5	29	90	M8	25	67
A581080.0004	A581080.TM08X3001	93	80	54	27	19	15.5	44	48	8.5	29	90	M8	30	69
A581080.0007	A581080.TM08X3501	93	80	54	27	19	15.5	44	48	8.5	29	90	M8	35	70,5
A581080.0010	A581080.TM08X4001	93	80	54	27	19	15.5	44	48	8.5	29	90	M8	40	72
A581080.0013	A581080.TM08X4501	93	80	54	27	19	15.5	44	48	8.5	29	90	M8	45	74
A581080.0014	A581080.TM08X5001	93	80	54	27	19	15.5	44	48	8.5	29	90	M8	50	76
A581080.0019	A581080.TM10X2001	93	80	54	27	19	15.5	44	48	8.5	29	90	M10	20	87
A581080.0022	A581080.TM10X2501	93	80	54	27	19	15.5	44	48	8.5	29	90	M10	25	87
A581080.0024	A581080.TM10X3001	93	80	54	27	19	15.5	44	48	8.5	29	90	M10	30	87
A581080.0027	A581080.TM10X3501	93	80	54	27	19	15.5	44	48	8.5	29	90	M10	35	87
A581080.0028	A581080.TM10X4001	93	80	54	27	19	15.5	44	48	8.5	29	90	M10	40	87
A581080.0033	A581080.TM10X4501	93	80	54	27	19	15.5	44	48	8.5	29	90	M10	45	87
A581080.0034	A581080.TM10X5001	93	80	54	27	19	15.5	44	48	8.5	29	90	M10	50	87
A581080.0042	A581080.TM12X2001	93	80	54	27	19	15.5	44	48	8.5	29	90	M12	20	89
A581080.0044	A581080.TM12X2501	93	80	54	27	19	15.5	44	48	8.5	29	90	M12	25	92
A581080.0046	A581080.TM12X3001	93	80	54	27	19	15.5	44	48	8.5	29	90	M12	30	95
A581080.0048	A581080.TM12X3501	93	80	54	27	19	15.5	44	48	8.5	29	90	M12	35	99
A581080.0049	A581080.TM12X4001	93	80	54	27	19	15.5	44	48	8.5	29	90	M12	40	101
A581080.0053	A581080.TM12X5001	93	80	54	27	19	15.5	44	48	8.5	29	90	M12	50	108

Code	Art.	L	R	H	D	d	c	h	h1	h2	h3	LM	d1 6g	Q	Gewicht (g)
A581094.0001	A581094.TM08X2001	109	94	56	30	19	18	45	49	9	30	90	M8	20	73
A581094.0002	A581094.TM08X2501	109	94	56	30	19	18	45	49	9	30	90	M8	25	74
A581094.0003	A581094.TM08X3001	109	94	56	30	19	18	45	49	9	30	90	M8	30	76
A581094.0005	A581094.TM08X3501	109	94	56	30	19	18	45	49	9	30	90	M8	35	78
A581094.0006	A581094.TM08X4001	109	94	56	30	19	18	45	49	9	30	90	M8	40	79
A581094.0007	A581094.TM08X5001	109	94	56	30	19	18	45	49	9	30	90	M8	50	81
A581094.0008	A581094.TM10X2001	109	94	56	30	19	18	45	49	9	30	90	M10	20	79
A581094.0010	A581094.TM10X2501	109	94	56	30	19	18	45	49	9	30	90	M10	25	80
A581094.0011	A581094.TM10X3001	109	94	56	30	19	18	45	49	9	30	90	M10	30	81
A581094.0013	A581094.TM10X3501	109	94	56	30	19	18	45	49	9	30	90	M10	35	84
A581094.0014	A581094.TM10X4001	109	94	56	30	19	18	45	49	9	30	90	M10	40	86
A581094.0018	A581094.TM10X5001	109	94	56	30	19	18	45	49	9	30	90	M10	50	88
A581094.0022	A581094.TM12X2001	109	94	56	30	19	18	45	49	9	30	90	M12	20	96
A581094.0023	A581094.TM12X2501	109	94	56	30	19	18	45	49	9	30	90	M12	25	97
A581094.0024	A581094.TM12X3001	109	94	56	30	19	18	45	49	9	30	90	M12	30	99
A581094.0027	A581094.TM12X3501	109	94	56	30	19	18	45	49	9	30	90	M12	35	102
A581094.0028	A581094.TM12X4001	109	94	56	30	19	18	45	49	9	30	90	M12	40	106
A581094.0030	A581094.TM12X5001	109	94	56	30	19	18	45	49	9	30	90	M12	50	108
A581094.0032	A581094.TM12X6001	109	94	56	30	19	18	45	49	9	30	90	M12	60	115
A581094.0033	A581094.TM12X7001	109	94	56	30	19	18	45	49	9	30	90	M12	70	123
A581108.0003	A581108.TM12X2001	125	108	64	34	24	21	51	55	10	35	90	M12	20	137
A581108.0004	A581108.TM12X3001	125	108	64	34	24	21	51	55	10	35	90	M12	30	144
A581108.0005	A581108.TM12X4001	125	108	64	34	24	21	51	55	10	35	90	M12	40	151
A581108.0006	A581108.TM12X5001	125	108	64	34	24	21	51	55	10	35	90	M12	50	158
A581108.0007	A581108.TM12X6001	125	108	64	34	24	21	51	55	10	35	90	M12	60	165
A581108.0008	A581108.TM12X7001	125	108	64	34	24	21	51	55	10	35	90	M12	70	172
A581108.0022	A581108.TM14X3001	125	108	64	34	24	21	51	55	10	35	90	M14	30	150
A581108.0013	A581108.TM14X4001	125	108	64	34	24	21	51	55	10	35	90	M14	40	157
A581108.0014	A581108.TM14X5001	125	108	64	34	24	21	51	55	10	35	90	M14	50	164
A581108.0015	A581108.TM14X6001	125	108	64	34	24	21	51	55	10	35	90	M14	60	171
A581108.0019	A581108.TM16X4001	125	108	64	34	24	21	51	55	10	35	90	M16	40	175
A581108.0020	A581108.TM16X5001	125	108	64	34	24	21	51	55	10	35	90	M16	50	187
A581108.0021	A581108.TM16X6001	125	108	64	34	24	21	51	55	10	35	90	M16	60	199

Draaideind met gepersonaliseerde lengte op aanvraag leverbaar vanaf 100 stuks.

LM = maximumlengte die kan geperst worden.